

PROCESSOR
252 SHEET 3
DSP AUDIO

RECEIVER

SYNTH-VCO

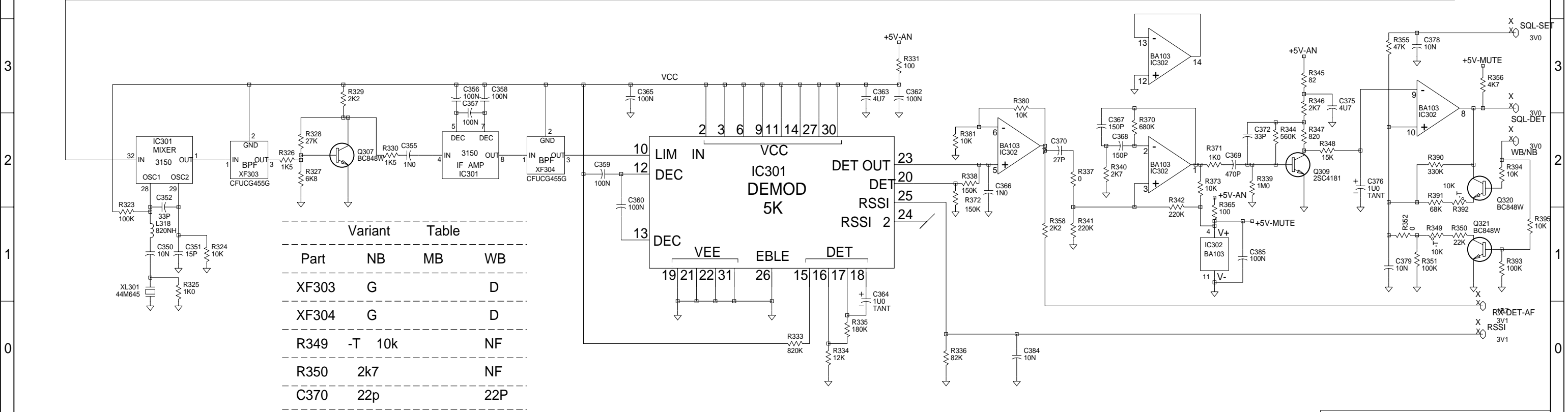
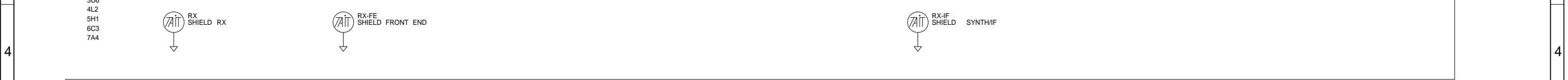
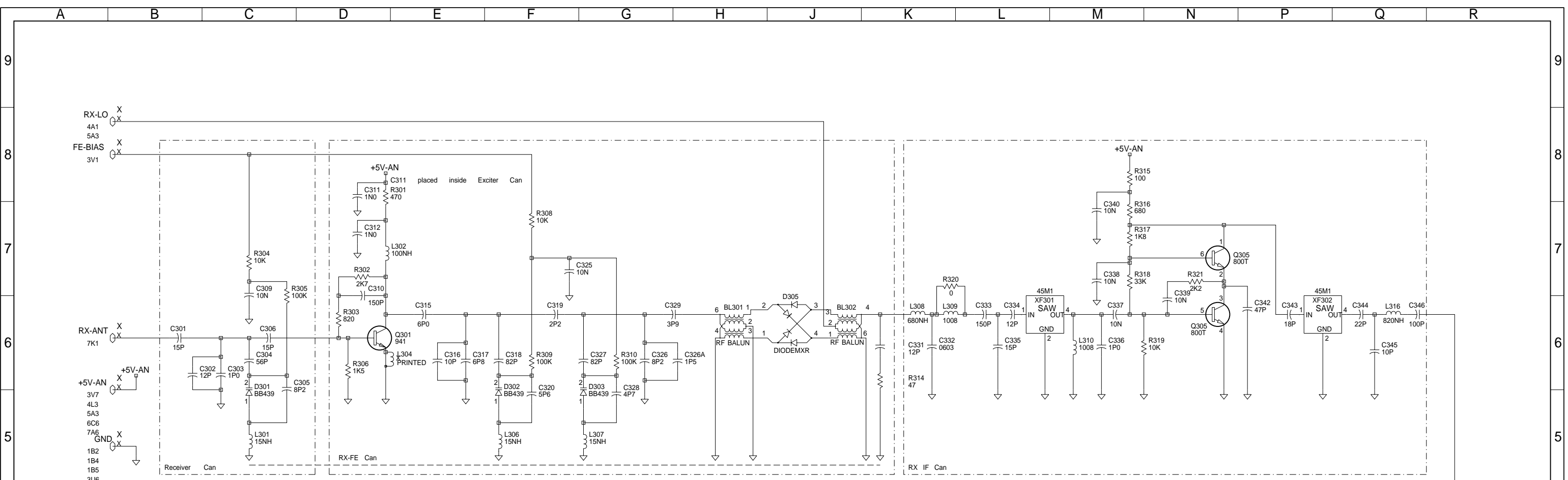
VCO
sheet 6

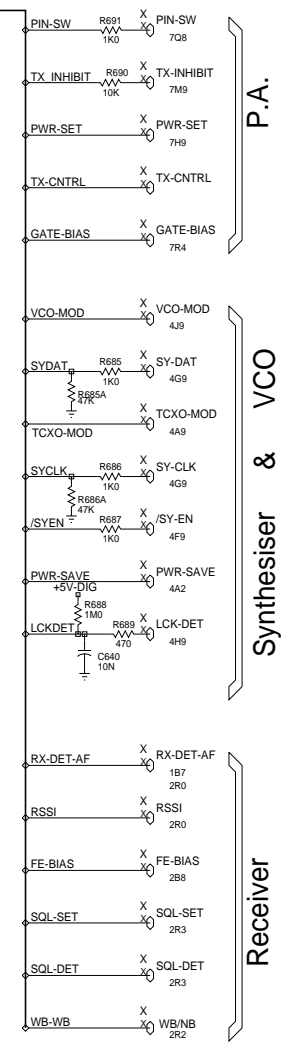
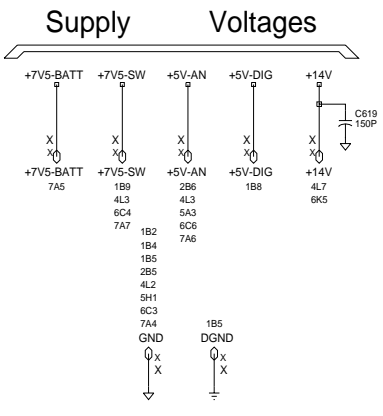
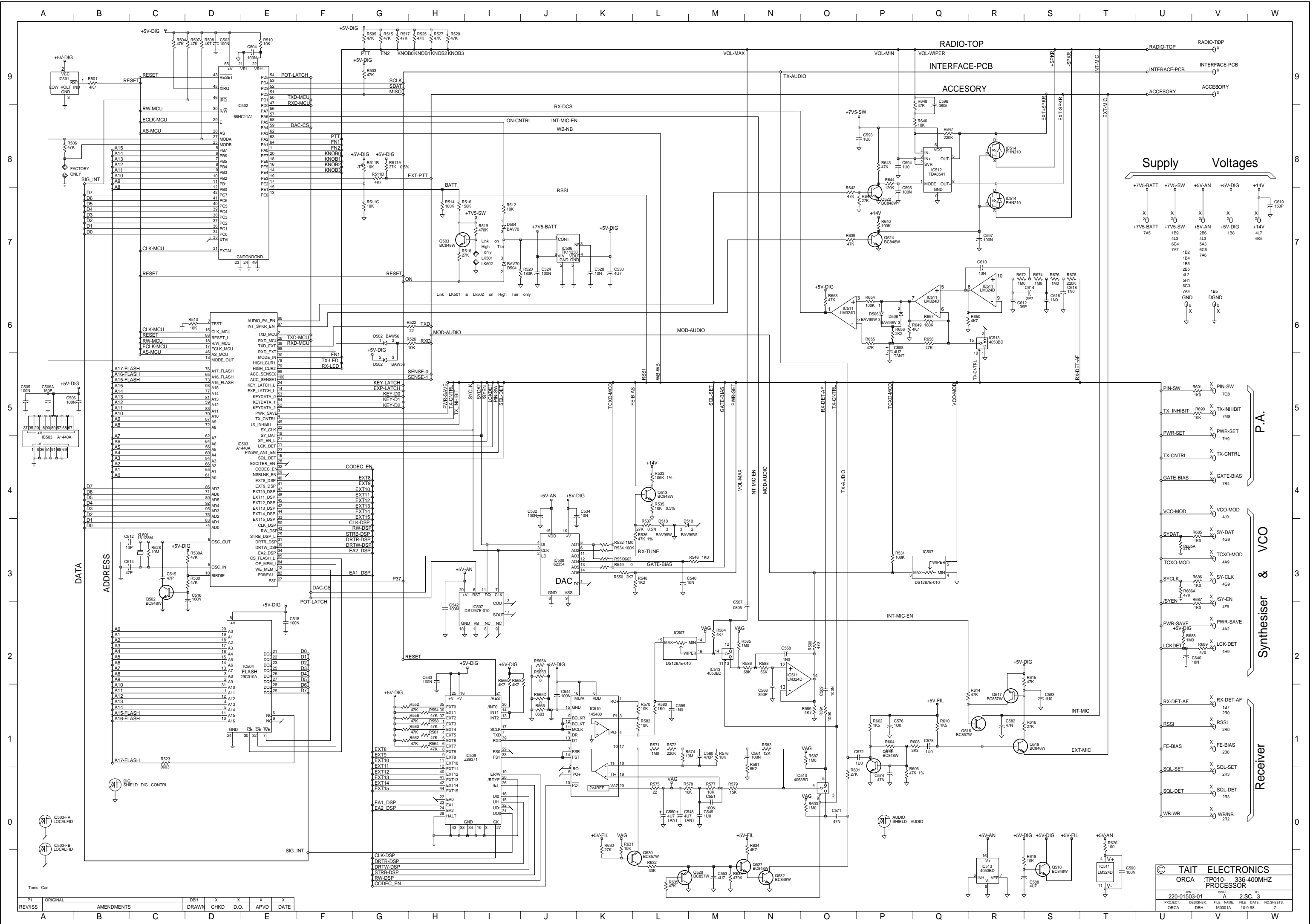
POWER-AMP

Sub UHF

© TAIT ELECTRONICS
ORCA :TP010- 336-400MHZ
SYSTEM DIAGRAM
IPN: A ID: 2.S.C. 1
PROJECT: 220-01503-01 DESIGNER: ORCA DBH FILE NAME: 150301A FILE DATE: 10-9-98 NO.SHEETS: 7

08	UPDATED MUTE CIRCUITRY	DBH	X	X	X	X
REV/ISS	AMENDMENTS	DRAWN	CHKD	D.O.	APVD	DATE

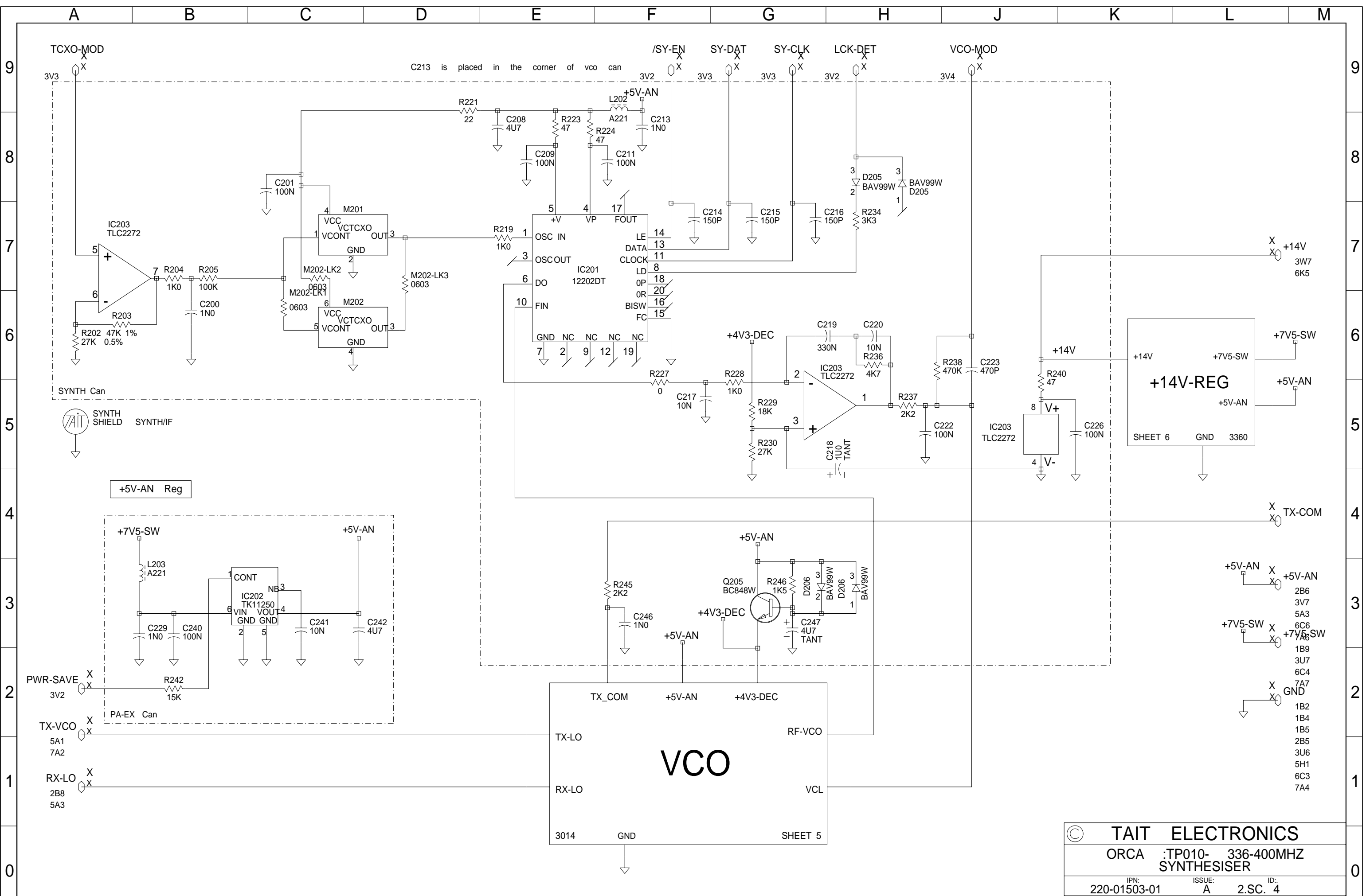




© TAIT ELECTRONICS
 ORCA :TP010- 336-400MHZ
 PROCESSOR
 220-01503-01
 2.SC. 3
 PROJECT: DBH FILE NAME: 150301A FILE DATE: 10-9-98 NO SHEETS: 7

REV/ISS	ORIGINAL	AMENDMENTS	DBH	X	X	X	X
			DRAWN	CHKD	D.O.	APVD	DATE
A							

Toms Can



C213 is placed in the corner of vco can

VCO

3014 GND SHEET 5

+14V-REG

SHEET 6 GND 3360

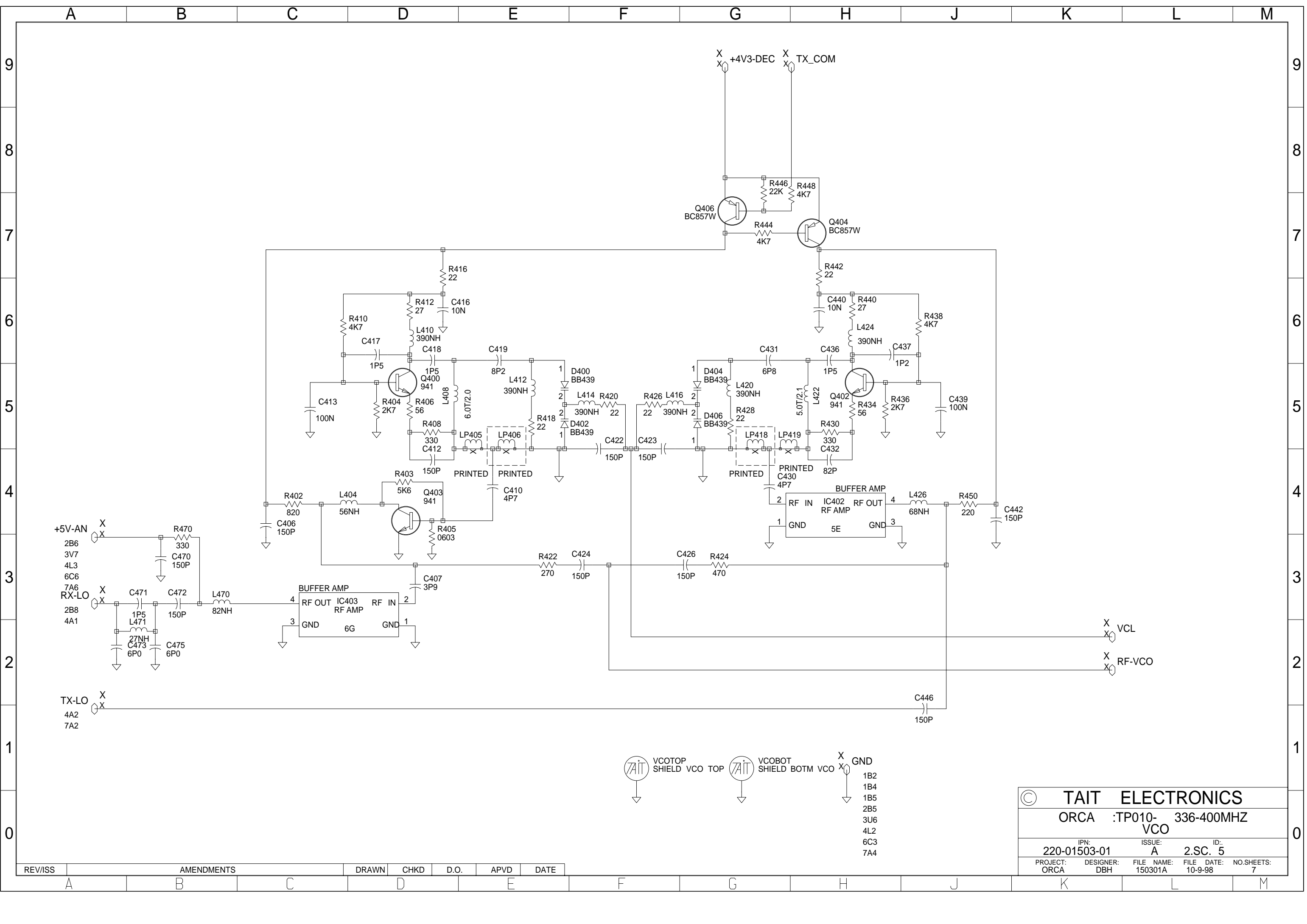
+5V-AN Reg

PA-EX Can

SYNTH Can

© TAIT ELECTRONICS				
ORCA :TP010- 336-400MHZ SYNTHESISER				
IPN:	ISSUE:	ID:		
220-01503-01	A	2.SC. 4		
PROJECT:	DESIGNER:	FILE NAME:	FILE DATE:	NO.SHEETS:
ORCA	DBH	150301A	10-9-98	7

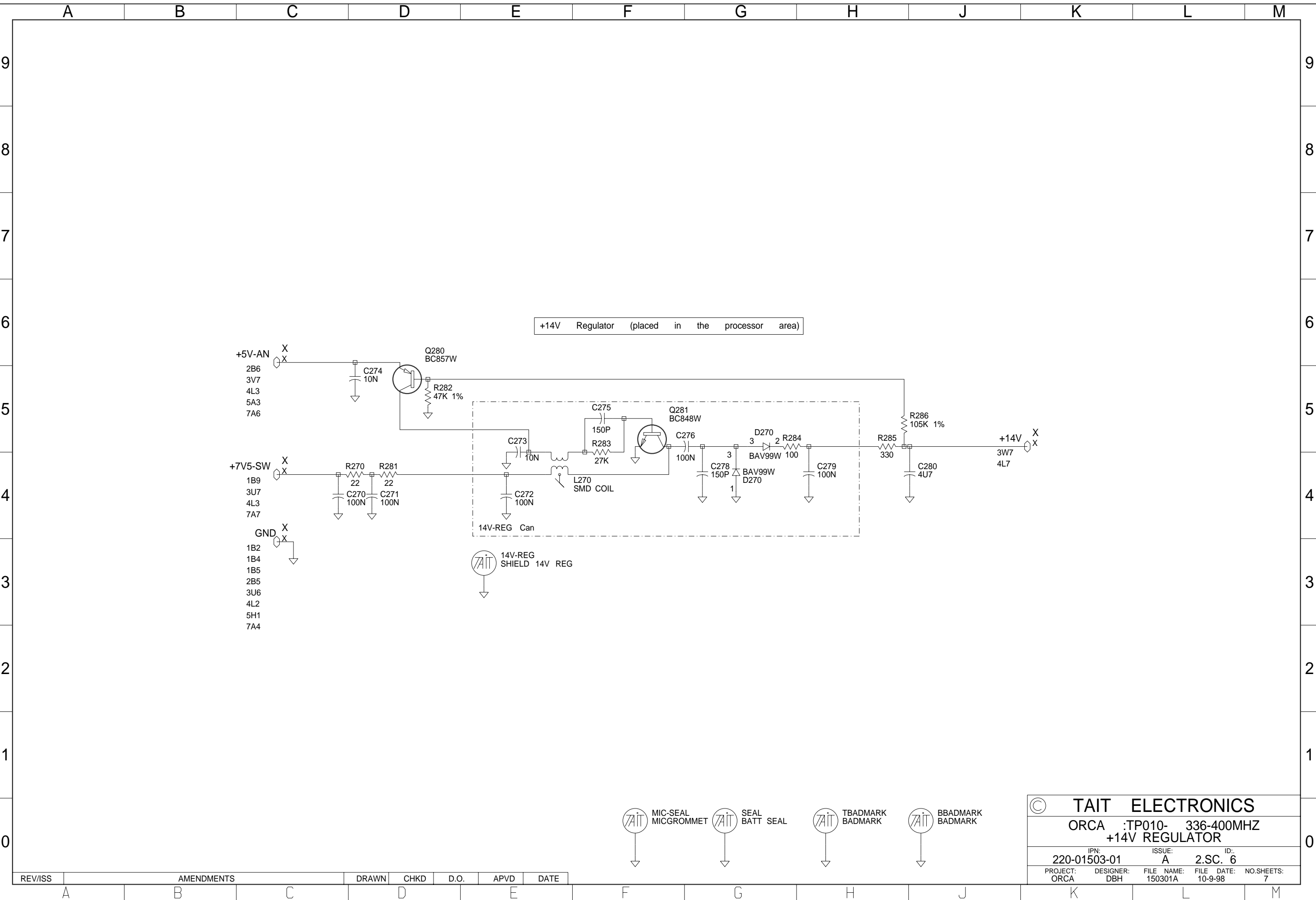
REV/ISS	AMENDMENTS	DRAWN	CHKD	D.O.	APVD	DATE



© TAIT ELECTRONICS
 ORCA :TP010- 336-400MHZ
 VCO
 IPN: 220-01503-01 ISSUE: A ID: 2.SC. 5
 PROJECT: ORCA DESIGNER: DBH FILE NAME: 150301A FILE DATE: 10-9-98 NO.SHEETS: 7

REV/ISS	AMENDMENTS	DRAWN	CHKD	D.O.	APVD	DATE

- X GND
- 1B2
- 1B4
- 1B5
- 2B5
- 3U6
- 4L2
- 6C3
- 7A4



+14V Regulator (placed in the processor area)

+5V-AN
2B6
3V7
4L3
5A3
7A6





+7V5-SW
1B9
3U7
4L3
7A7

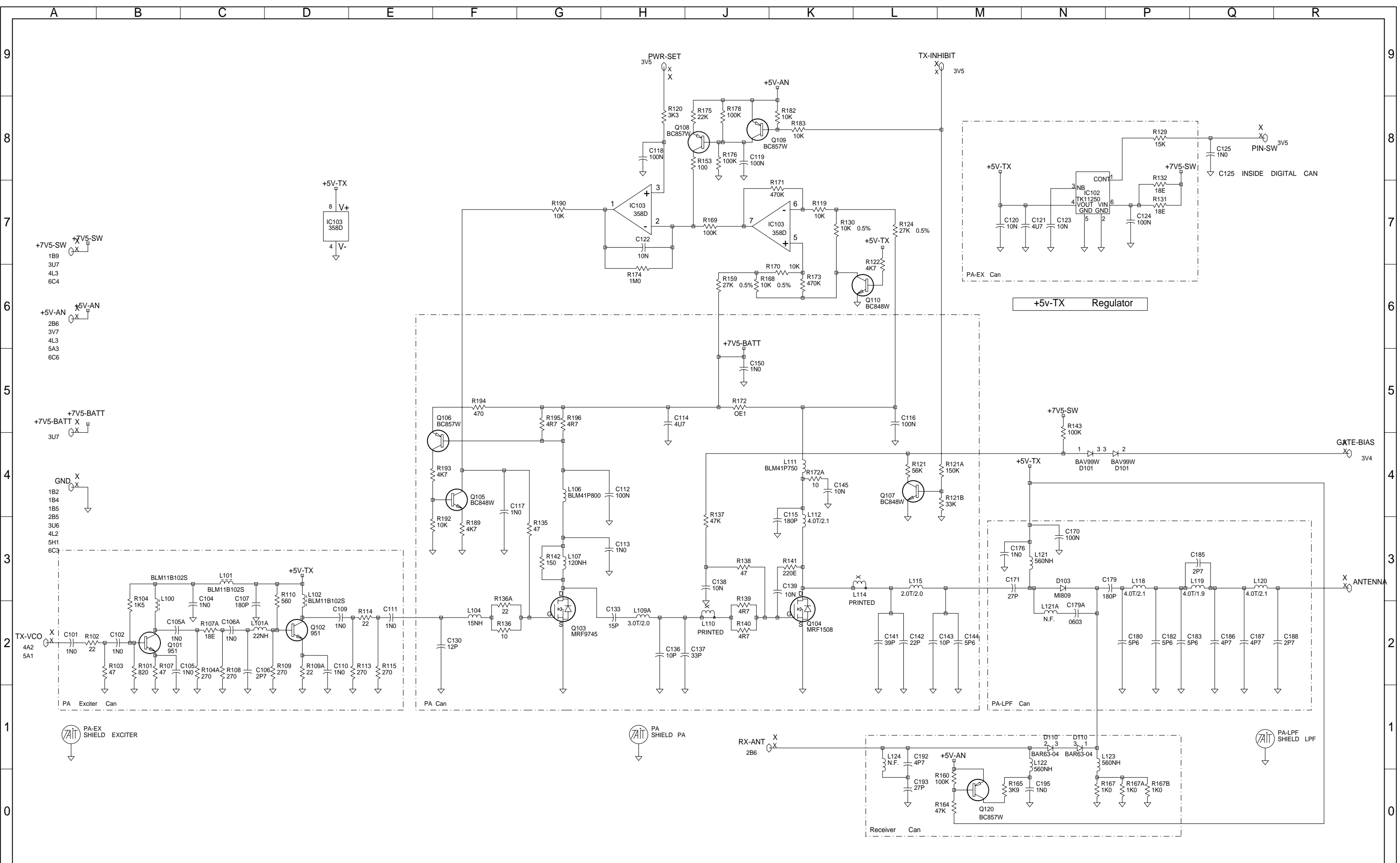
GND
1B2
1B4
1B5
2B5
3U6
4L2
5H1
7A4

14V-REG SHIELD 14V REG

© TAIT ELECTRONICS				
ORCA :TP010- 336-400MHZ +14V REGULATOR				
IPN:	ISSUE:	ID:		
220-01503-01	A	2.SC. 6		
PROJECT:	DESIGNER:	FILE NAME:	FILE DATE:	NO.SHEETS:
ORCA	DBH	150301A	10-9-98	7

REV/ISS	AMENDMENTS	DRAWN	CHKD	D.O.	APVD	DATE
---------	------------	-------	------	------	------	------

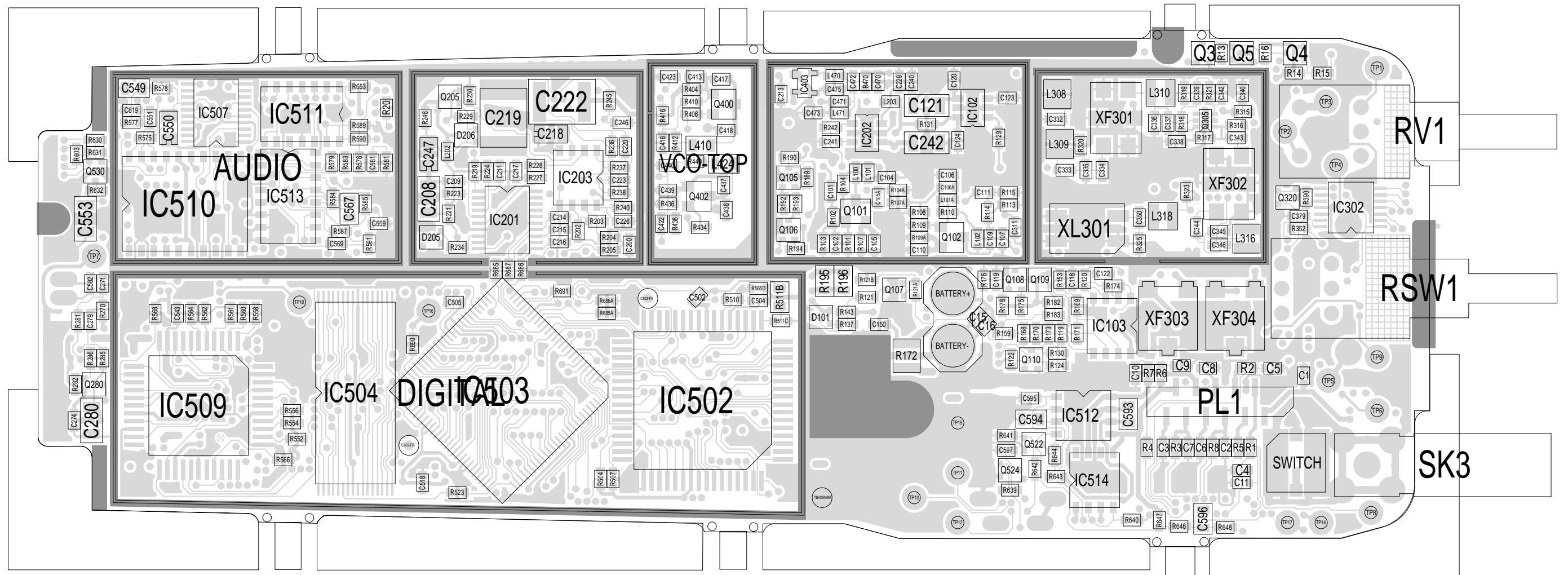
-  MIC-SEAL MICGROMMET
-  SEAL BATT SEAL
-  TBADMARK BADMARK
-  BBADMARK BADMARK



03A	X		X	X	X	X	X
REV/ISS	AMENDMENTS		DRAWN	CHKD	D.O.	APVD	DATE
A	B	C	D	E	F	G	H

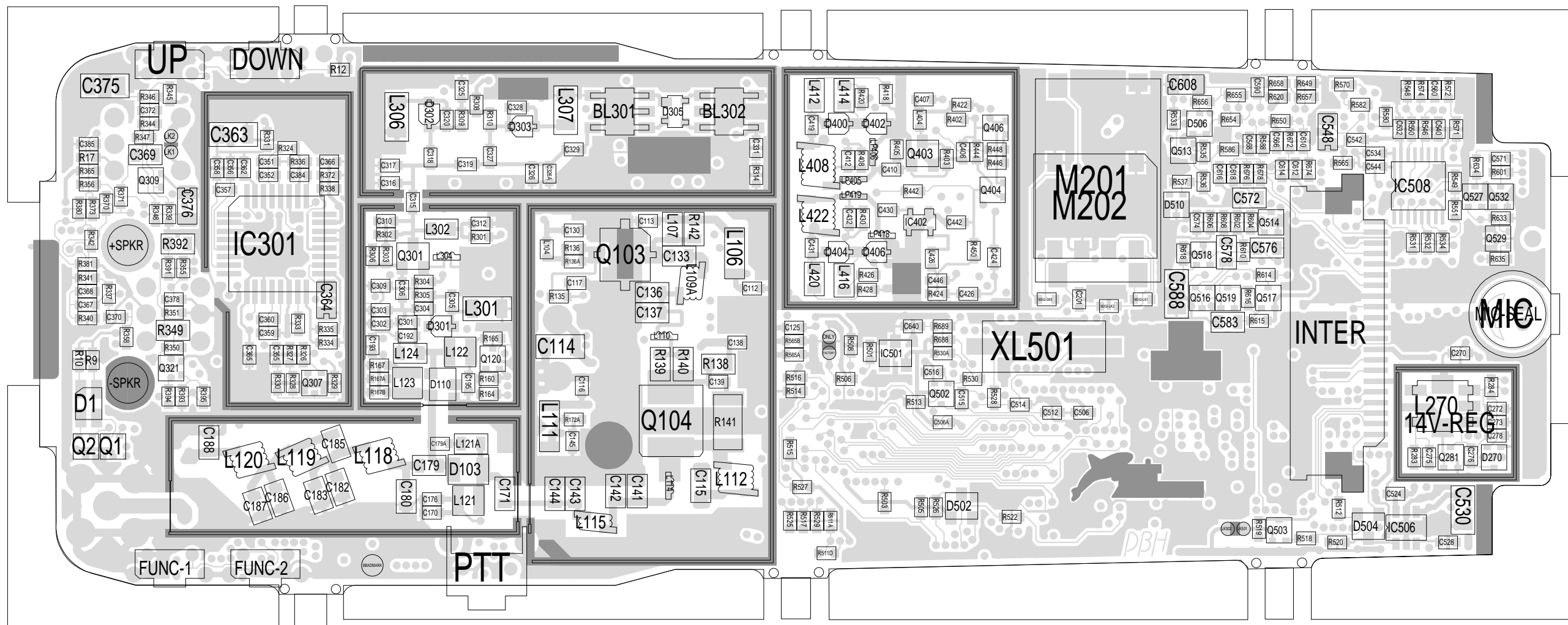
© TAIT ELECTRONICS
 ORCA :TP010- 336-400MHZ
 LOWCOST T3010

IPN:	ISSUE:	ID:
220-01503-01	A	2.SC. 7
PROJECT:	DESIGNER:	FILE NAME:
ORCA	DBH	150301A
FILE DATE:	NO.SHEETS:	
10-9-98	7	



TAIT ELECTRONICS	IPN: 220-01503-01	ISS: -01A	ID: 1.TA	DATE: 10 Sep 1998
SUB UHF PCB LAYOUT - TOP SIDE				

Scale:2.3:1 ; Rotation: 0 degrees



TAIT ELECTRONICS IPN: 220-01503-01 ISS: -01A ID: 6.BA DATE: 10 Sep 1998
 SUB UHF PCB LAYOUT - BOTTOM SIDE

Scale: 2.3:1 ; Rotation: 0 degrees